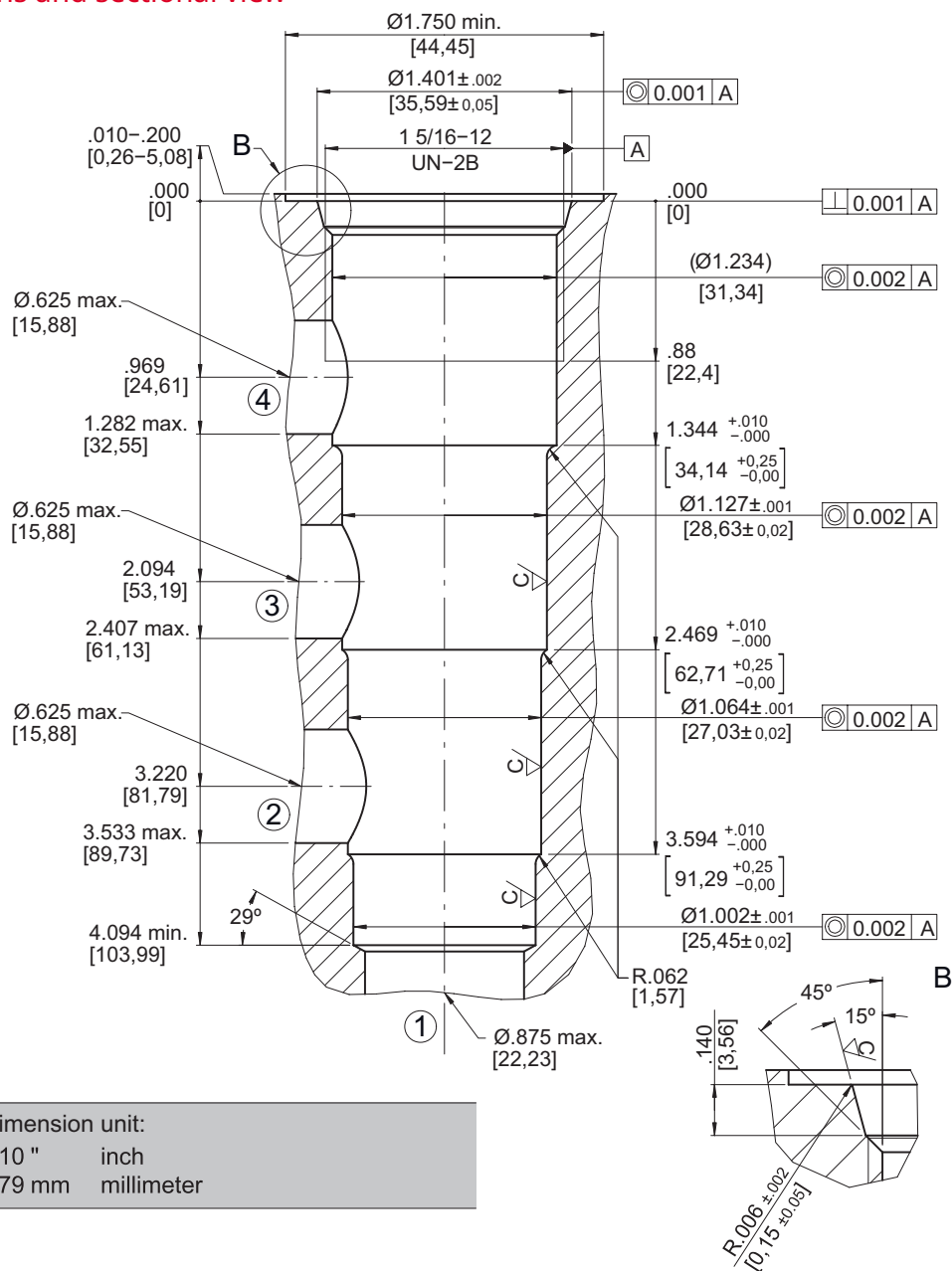


# General information

## Cavity

Type series: Cavity C1640

Dimensions and sectional view



Example dimension unit:  
.010 = .010" inch  
[0,79] = 0,79 mm millimeter

Dimension Tolerances	
Unless otherwise specified	
0.000	± .005"
0.00	± .010"
Angles	± 1/2°

Surface roughness		
	C	D
Ra	45 µin	125 µin
	( 1.15 µm )	( 3.2 µm )
	D	Unless otherwise specified

## Installation information



**ATTENTION!**

You must maintain the specified positional and diametral tolerances. To ensure trouble-free operation of the screw-in cartridges, we strongly recommend that pilot drilling, boring, reaming and cavity thread-cutting are always performed in one setup.



**NOTE!**

The cavity type C1640 complies with the standard according to ISO 17209: 1 5/16-04-0-13 and NFPA/T3.5.50: 1.312-04-0-09.



**NOTE!**

We offer form tool sets for sale or hire. For further information, see data sheet 520-P-000050.